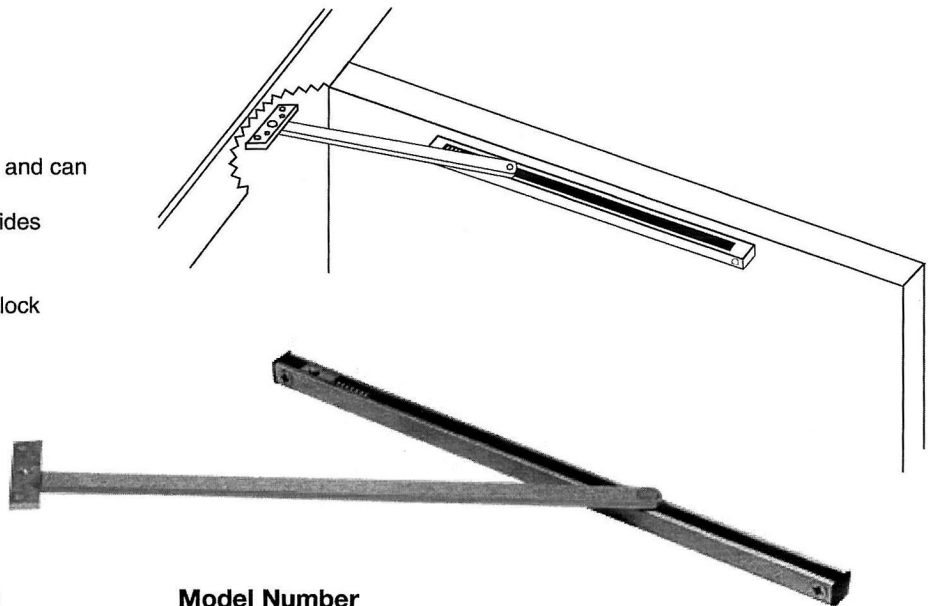


SURFACE MOUNT - INTERIOR OR EXTERIOR DOORS

Product Description & Features

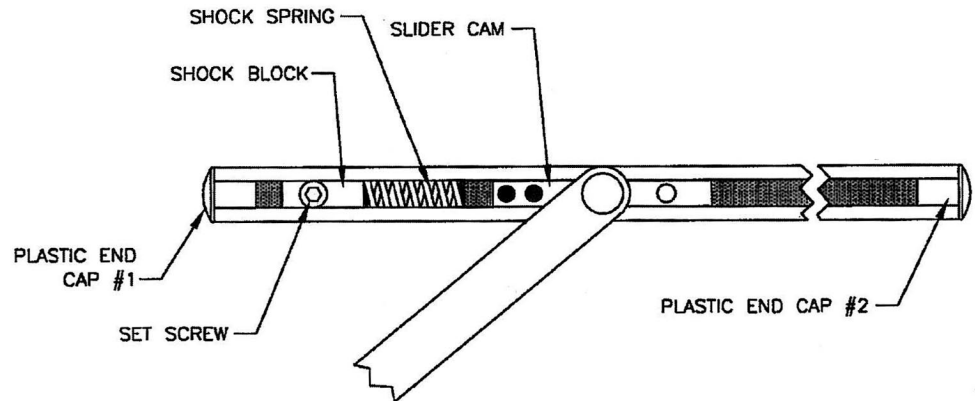
- Single acting doors
- Non-handed
- Slide track design
- Recommended for medium-traffic, medium-weight doors
- Degree of opening fully adjustable and can be adapted to changing needs
- Heavy shock absorber spring provides compression before deadstop
- Standard architectural finishes
- Non-metal slide block and shock block
- 110° maximum opening
- Track is 3/4" square tube



Door Opening Chart (in inches)

Model Number

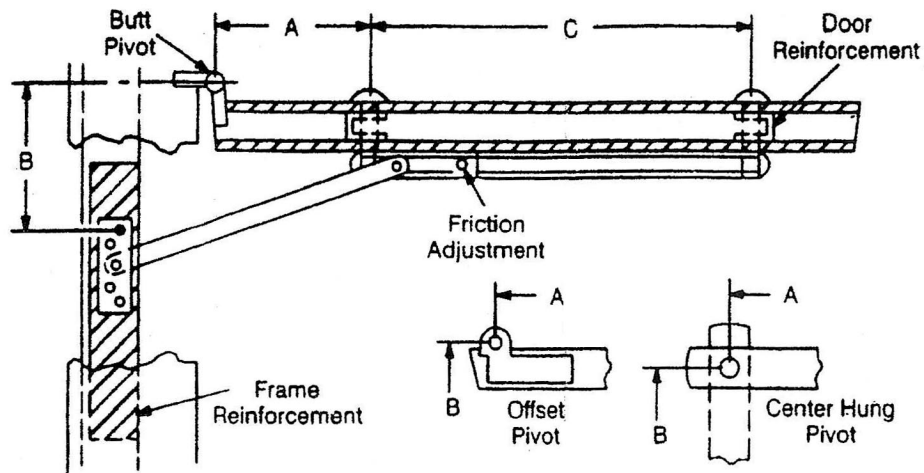
Butts Offset Pivots	Center Hung Pivots	Friction	H.O.	Stop	Multi
30-1/16 - 36	32-1/16 - 38	10-316	10-326	10-336	10-346



TO SELECT DEGREE OF STOP

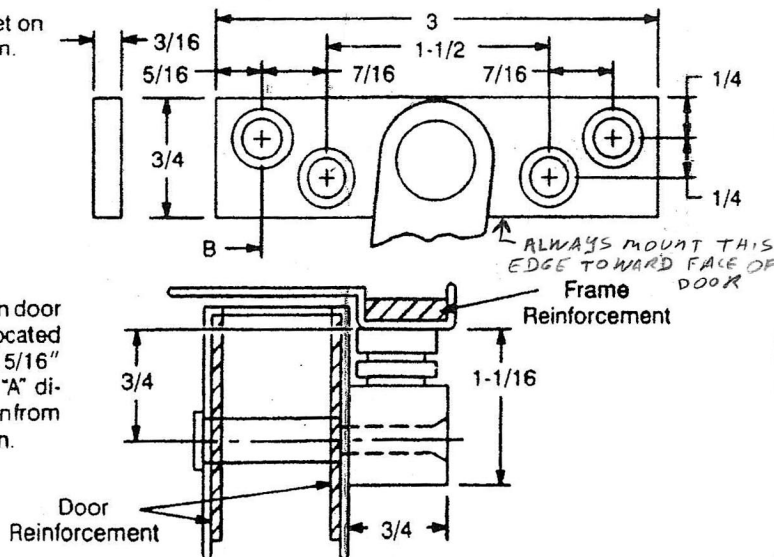
1. With a 3/16 hex key wrench, loosen the set screw in the shock block.
2. Open door to desired degree of opening.
3. Slide shock block and spring until the spring touches slider cam.
4. Tighten set screw.
5. Verify door opening position and re-adjust, as needed.

1 3/4 - 2 1/4 Butts & 3/4 Offset Pivot	Device Number				Door Opening	A	B	C
	Friction	H.O.	Stop	Multi				
	10-316	10-326	10-336	10-346				
Center Hung	Device Number				Door Opening	A	B	C
	Friction	H.O.	Stop	Multi				
	10-316	10-326	10-336	10-346				



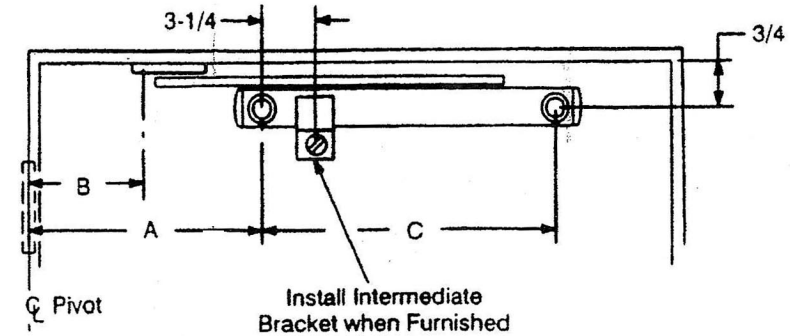
INSTALLATION INSTRUCTIONS

1. Select proper dimensions from chart on opposite side of page.
2. Locate "A" and "B" dimensions on door and frame.
3. Install jamb bracket on stop strip as shown.



4. Position channel on door with shock end located towards pivot. Drill 5/16" dia. sex bolt hole, "A" dimension, 3/4" down from stop strip as shown.

5. Install channel on door with "A" dimension sex bolt. Locate "C" dimension sex bolt hole making sure that channel is horizontal and parallel with stop strip. Drill 5/16" dia. sex bolt hole and finish installing holder.

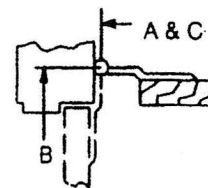


NOTES:

- All hollow metal frames should be properly reinforced with 3/16" min. thickness x 12" min. length reinforcement plates.
- All hollow metal doors should be properly reinforced.
- All drilling and tapping to be done by field men.
- Suggest mounting door stop or holder first and then other hardware to clear. Contact factory if interference results with other hardware.
- Jamb bracket to be on same centerline as channel.
- Intermediate bracket #12 x 3/4" FSMS.
- All dimensions are given in inches.

CAUTION:

Note location of swing clear hinge centerline to determine "A" and "B" dimensions.



Screw Details	
Jamb	Door
#12 x 1-1/2" FHWS or #12-24 x 1/2" FHMS (4 Places)	#12-24 x 1-1/2" FHMS and 5/16" Dia. Sex Bolt (2 Places)